

# Austim Bespoke Plywood Installation

## Timber Ceiling Joists v12/24

Refer diagram 1.

A – Ceiling Joist (typically 90x35mm)

E – Express Joint (typical 10mm)

B – Nail or screw fixing

F – Construction Adhesive

C – Timber Packer (typically 90x18mm)

G – Screw Fixing (typical 8g x 32mm Button Head)

D – Plywood 9mm or 12mm

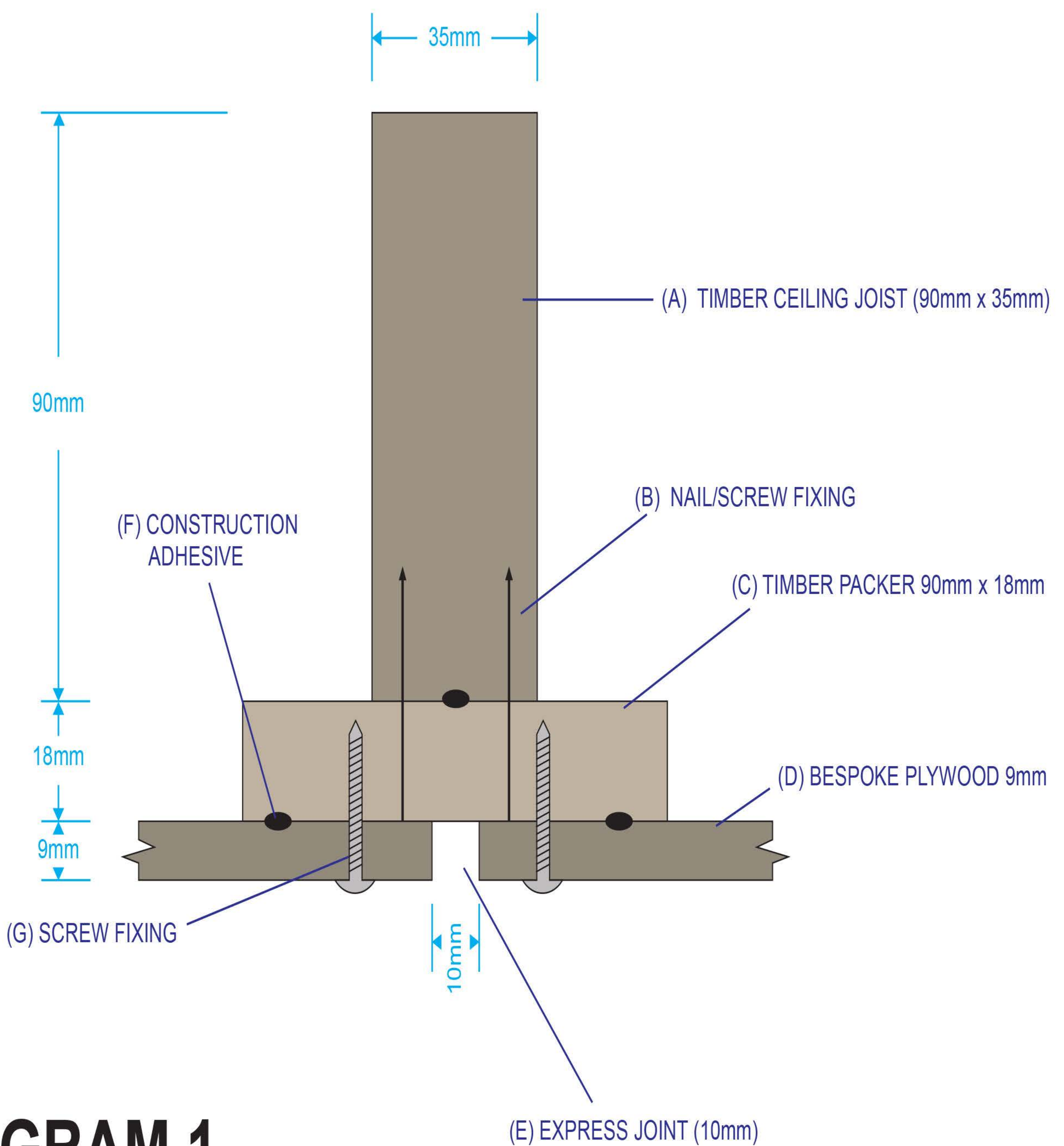
### Recommendations

- Paint timber packer black to enhance the negative detail.
- When screw fixing plywood you should always pre-drill.
- Pin fixing is acceptable internally, externally (weather protected) we only recommend button head screw fixing.
- Use stainless steel fixings.
- Position plywood fixings minimum 15mm from edge of the sheet.
- You must re-seal with touch up paint the pre-finished plywood whenever cutting, drilling or pinning.
- Position screw fixings at every 600mm (dia 3), if pin fixing every 400mm (dia 4).
- If cutting to size use sharp fine tooth blades, when cutting with hand tools place face side down to produce a cleaner cut on the face of the sheet. Blue painters tape over the cut line can also assist in reducing fibre tear-out.

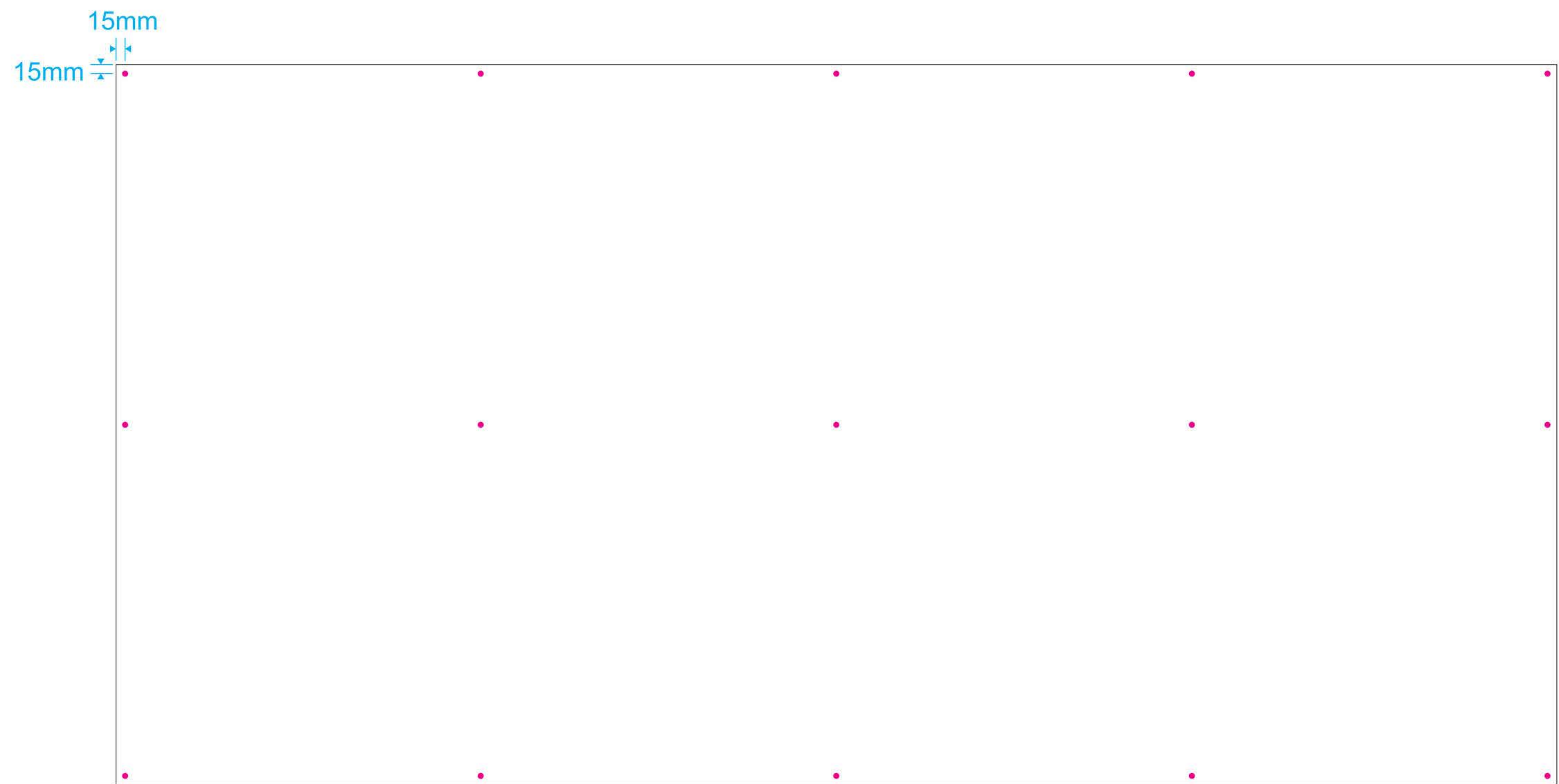
### Storage and General Cleaning

Store plywood undercover away from moisture and sun exposure, horizontally, flat and on multiple bearers clear off the ground. Take care to protect the pre-finished coating.

Clean as regularly as required to remove any noticeable dirt build-up using a clean damp micro fibre cloth.



**DIAGRAM 1**



### DIAGRAM 3

2400mm x 1200mm SHEET

• SCREW FIX LAYOUT



## DIAGRAM 4

2400mm x 1200mm SHEET

● PIN FIX LAYOUT